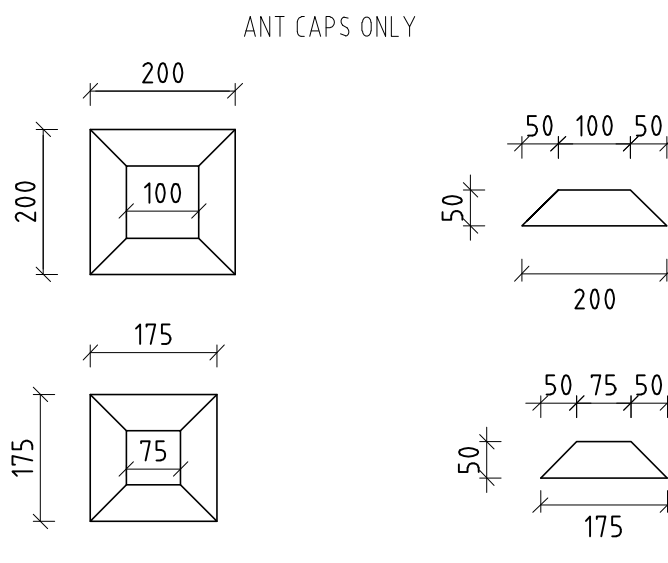
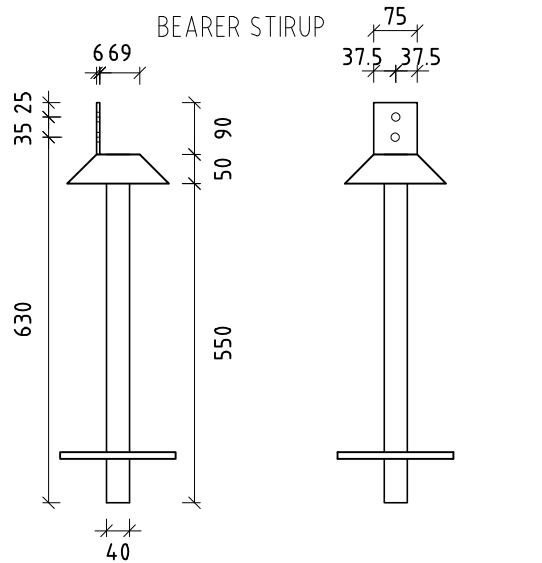
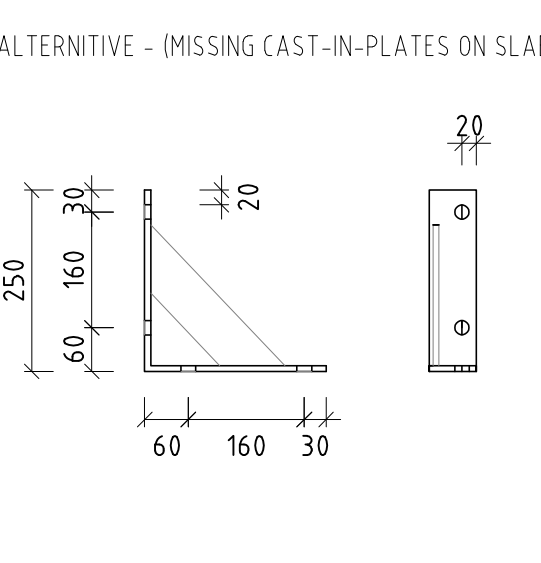
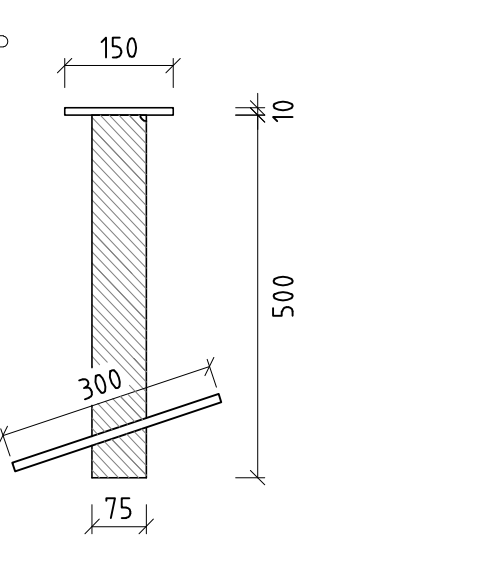
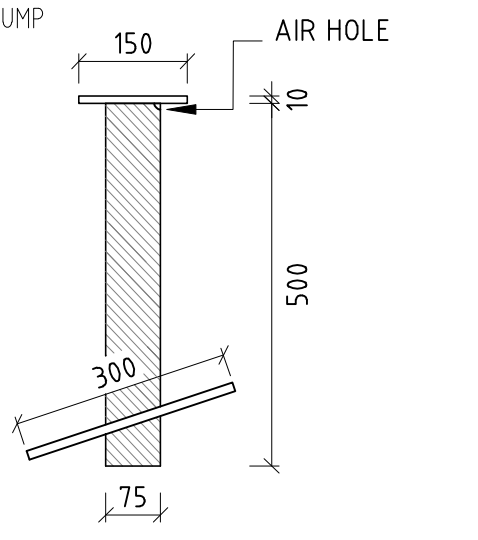
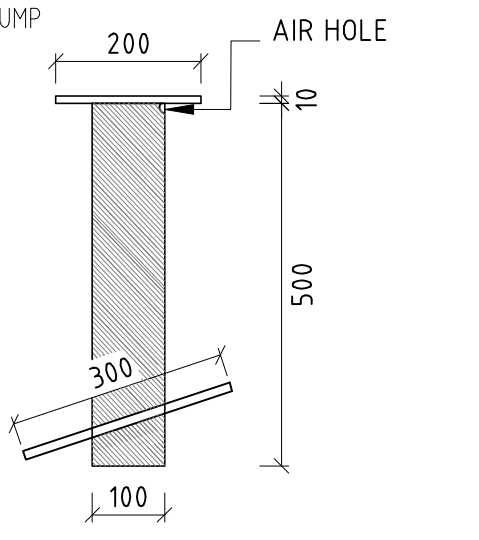
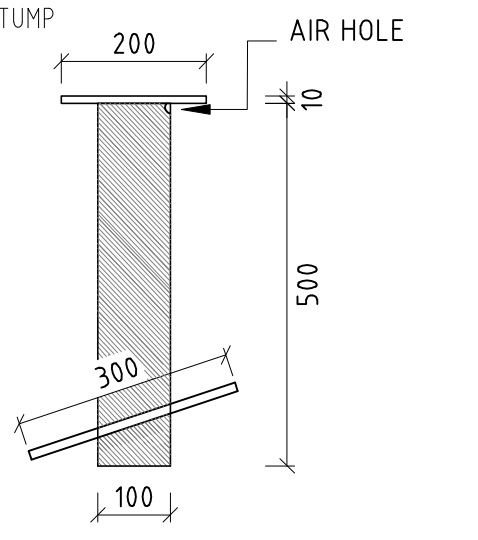
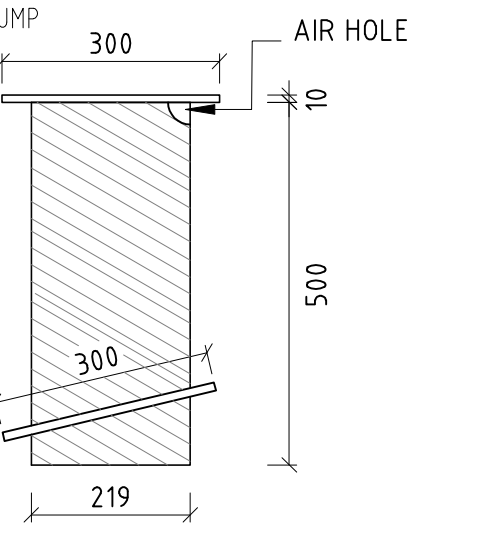
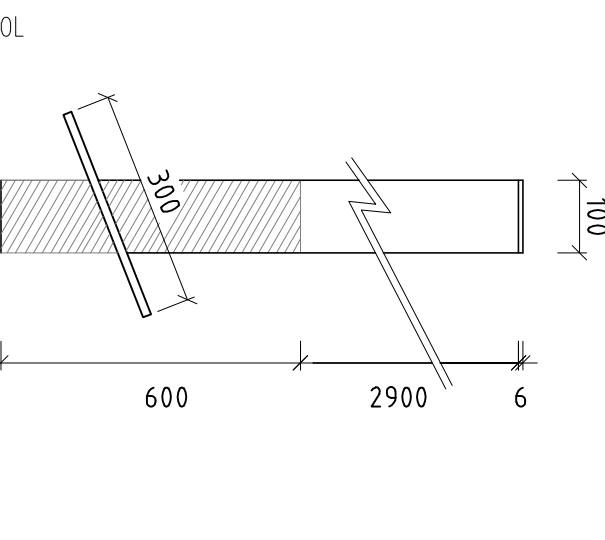
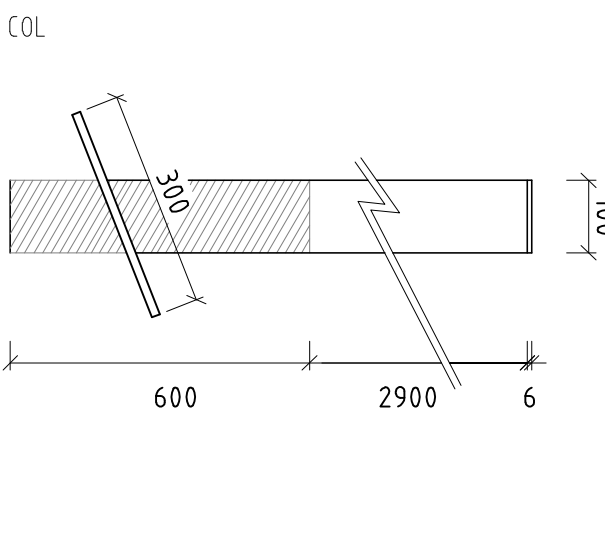
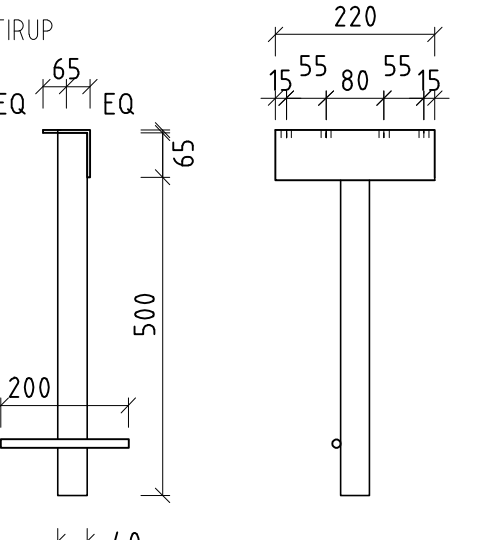
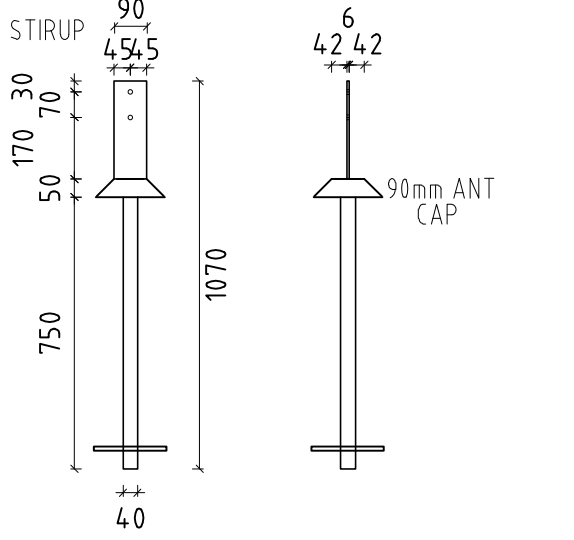
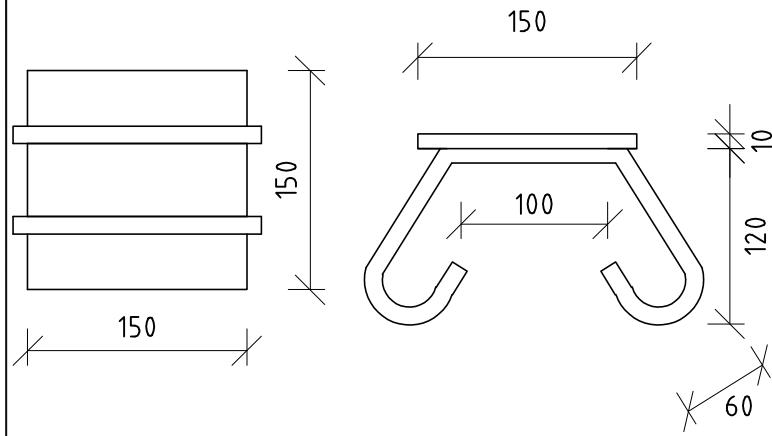
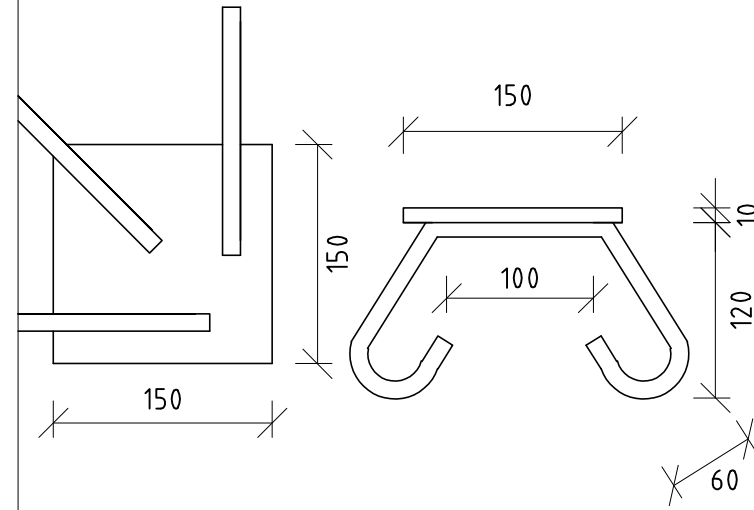


<p>ANT CAPS ONLY</p> 	<p>BEARER STIRUP</p> 	<p>CIP ALTERNATIVE - (MISSING CAST-IN-PLATES ON SLAB)</p> 	<p>75x3 CAST-IN-STUMP</p> 
<p>ANT100 ANT75</p> <p>MATERIAL :- 1.6 X PGI/ZINC PLATE HOLE DIAMETER :- N / A.</p>	<p>TBS01</p> <p>MATERIAL :- 75mm ANT CAP / 75x6 FLAT / 40oD PIPE HOLE DIAMETER :- 2 x 16mm HOLES</p>	<p>CAB01</p> <p>MATERIAL :- 65 x 8 FLAT x 3 HOLE DIAMETER :- 4 x 14mm HOLES</p>	<p>CIS01</p> <p>MATERIAL :- 75 x 3 SHS x 500 Lg. HOLE DIAMETER :- N / A.</p>
<p>75x4 CAST-IN-STUMP</p> 	<p>100x3 CAST-IN-STUMP</p> 	<p>100x4 CAST-IN-STUMP</p> 	<p>219oD CAST-IN-STUMP</p> 
<p>CIS02</p> <p>MATERIAL :- 75 x 4 SHS x 500 Lg. HOLE DIAMETER :- N / A.</p>	<p>CIS03</p> <p>MATERIAL :- 100 x 3 SHS x 500 Lg. HOLE DIAMETER :- N / A.</p>	<p>CIS04</p> <p>MATERIAL :- 100 x 4 SHS x 500 Lg. HOLE DIAMETER :- N / A.</p>	<p>CIS05</p> <p>MATERIAL :- 219 OD x 500 Lg. HOLE DIAMETER :- N / A.</p>
<p>STD COL</p> 	<p>STD COL</p> 	<p>STAIR STIRUP</p> 	<p>TIMBER POST STIRUP</p> 
<p>CSOL3</p> <p>MATERIAL :- 100 x 3 SHS x 3500 Lg. HOLE DIAMETER :- N / A.</p>	<p>SCOL4</p> <p>MATERIAL :- 100 x 3 SHS x 3500 Lg. HOLE DIAMETER :- N / A.</p>	<p>SS01</p> <p>MATERIAL :- 65 x 65 x 5 ANGLE / 40oD PIPE HOLE DIAMETER :- 4 x 14oD HOLES</p>	<p>TPS01</p> <p>MATERIAL :- 90mm ANT CAP / 90x6 FLAT / 40oD PIPE HOLE DIAMETER :- 2 x 16mm HOLES</p>

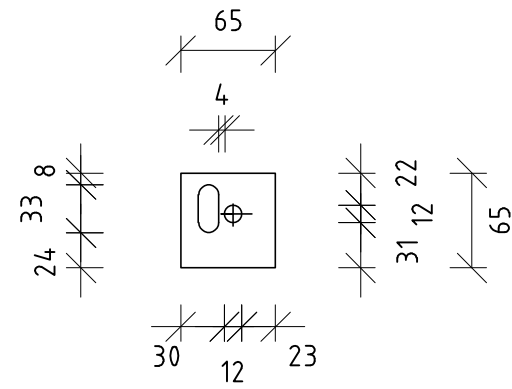
CAST-IN-PLATE EDGE



CAST-IN-PLATE CORNER



CYCLONE WASHER



CIPG150EDG

MATERIAL :- 150 x 150 x 10 PLATE WITH 4-N12 x 150 LONG LEGS  
HOLE DIAMETER :- N / A.

CIPG150CNR

MATERIAL :- 150 x 150 x 10 PLATE WITH 3-N12 x 150 LONG LEGS  
HOLE DIAMETER :- N / A.

**CW**

MATERIAL :- 65 x 65 x 4 FLAT  
HOLE DIAMETER :- 12mm & 14mm X 33mm SLOTTED HOLE