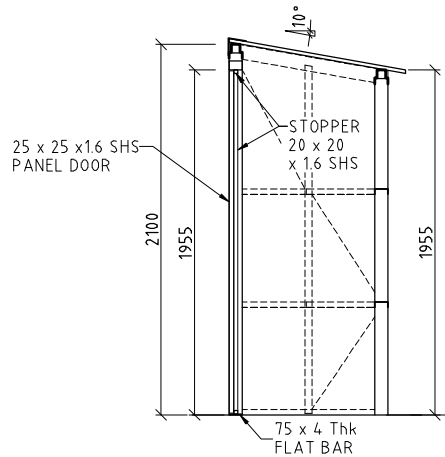
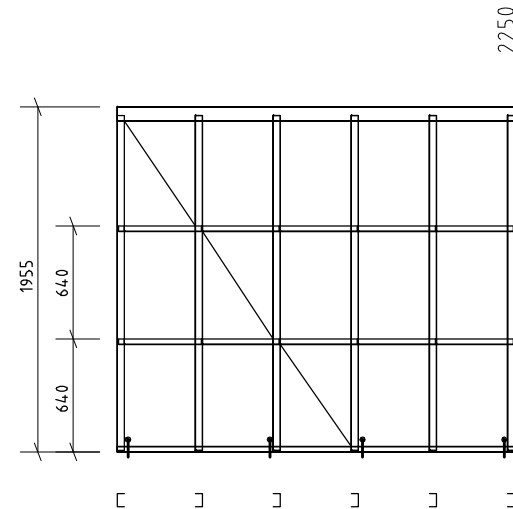


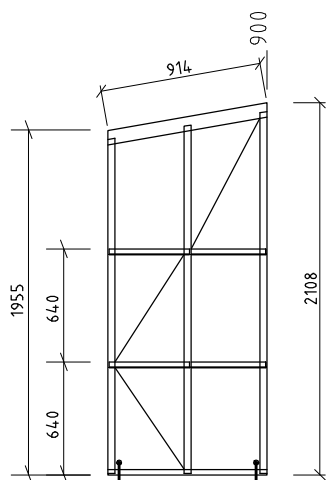
PLAN



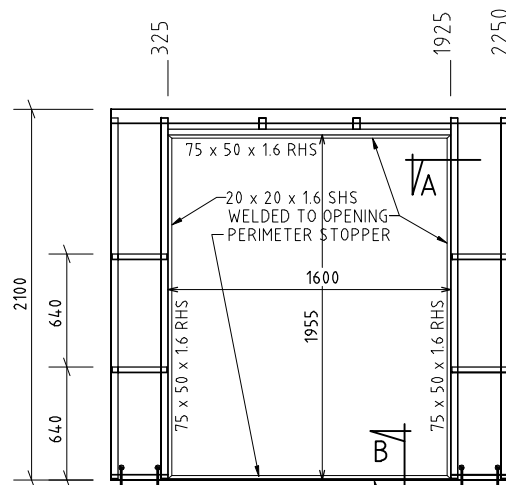
ELEVATION SECTION



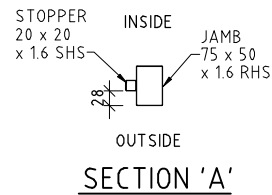
WF1



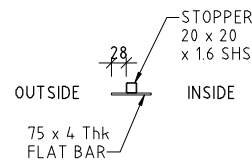
WF2 - 2 REQUIRED



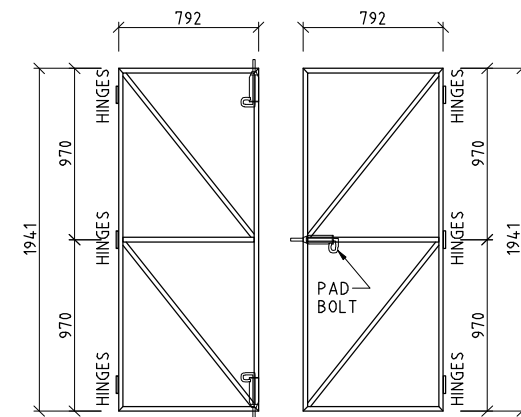
WF3



SECTION 'A'



SECTION 'B'



**25 x 25 x 1.6 SHS
1 PAIR PANEL DOOR**



B & J BUILDING CONSULTANTS & STEEL SUPPLIES
 PHONE 91926262 - 91926263 FAX 91926264
 Lot 52 Port Drive, BROOME. W.A.
 P.O. Box 1308, BROOME. W.A. 6725

CLIENT : B & J BLDG. CONSULTANT AND STEEL SUPPLIES
ADDRESS : LOT 52 PORT DRIVE, BROOME
DESCRIPTION : 2.4 x 0.9m HANDI-LOCKER

SCALE : N T S
DRAWN : Leo
JOB No. : 42778
DWG No. : HL-1
DATE : 19-06-09

Pride & Quality